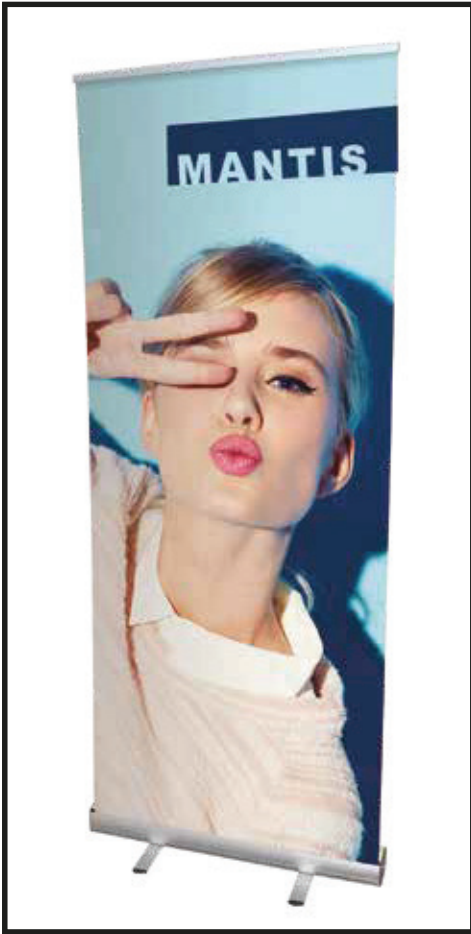
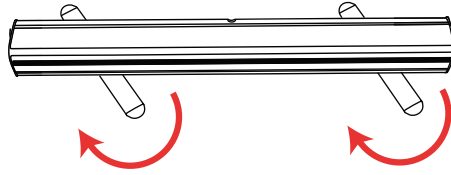


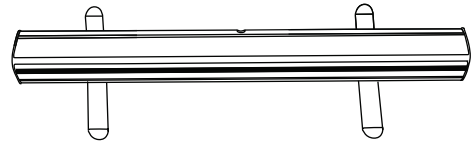
# Mantis (800mm to 1200mm Wide Banners)



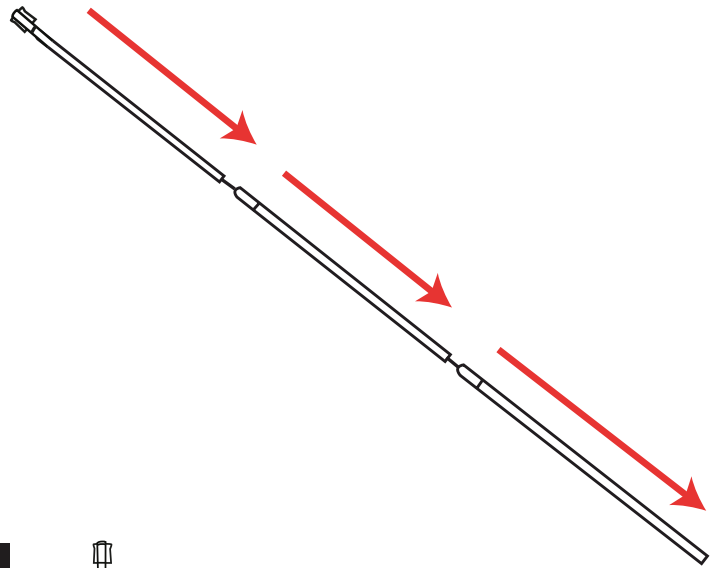
1



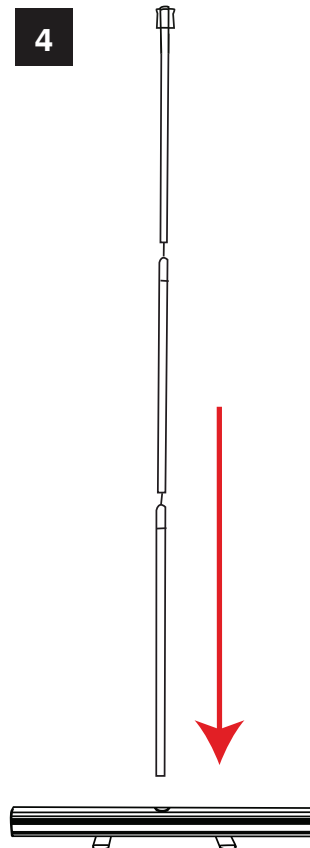
2



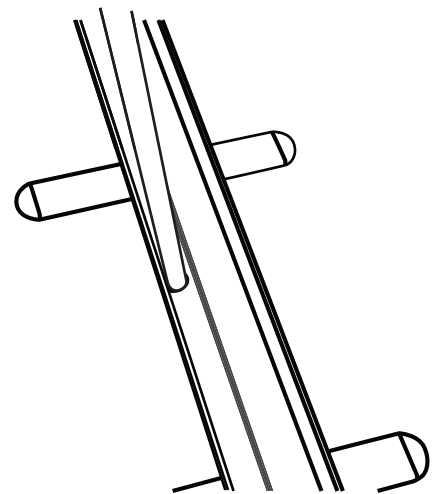
3




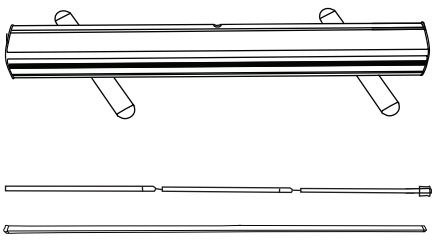
4



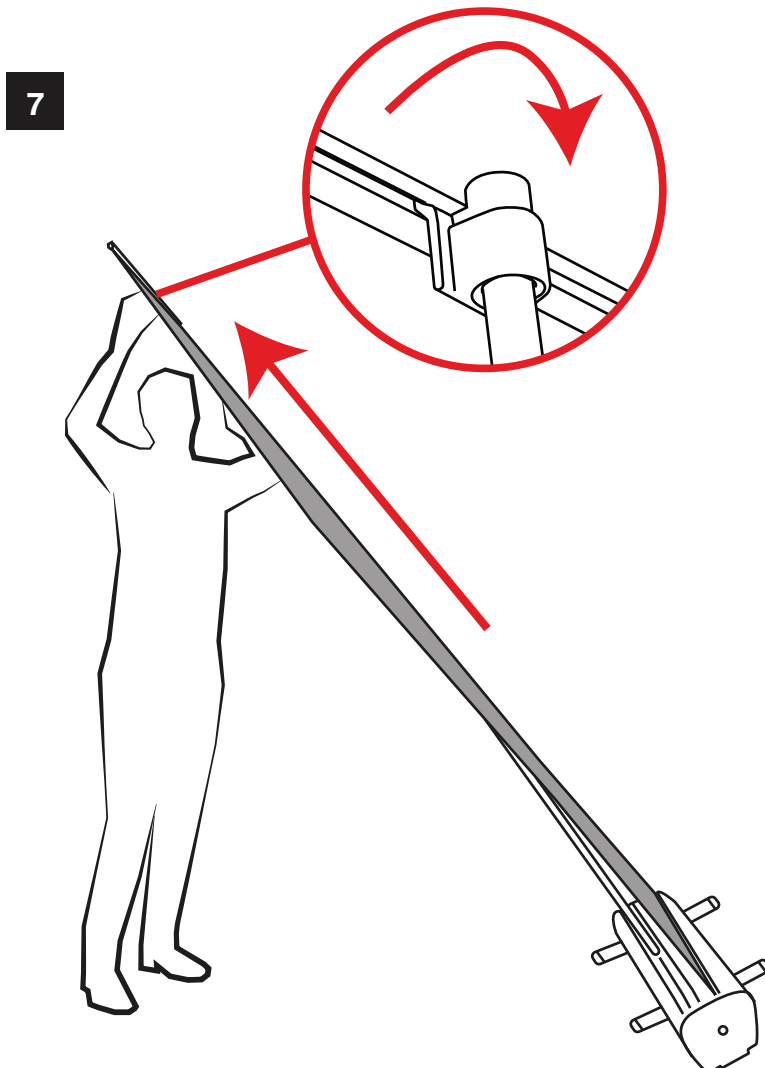
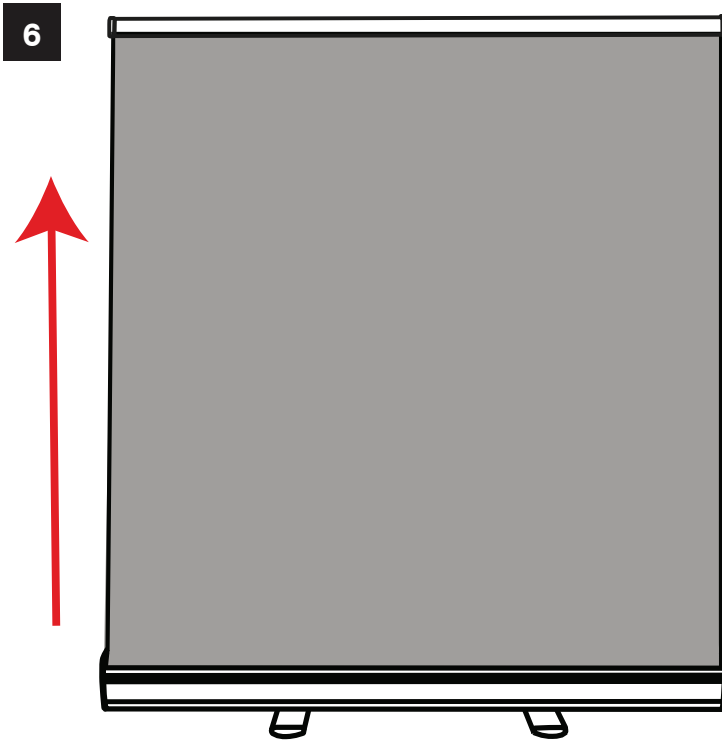
5



 **PARTS (NOT TO SCALE)**

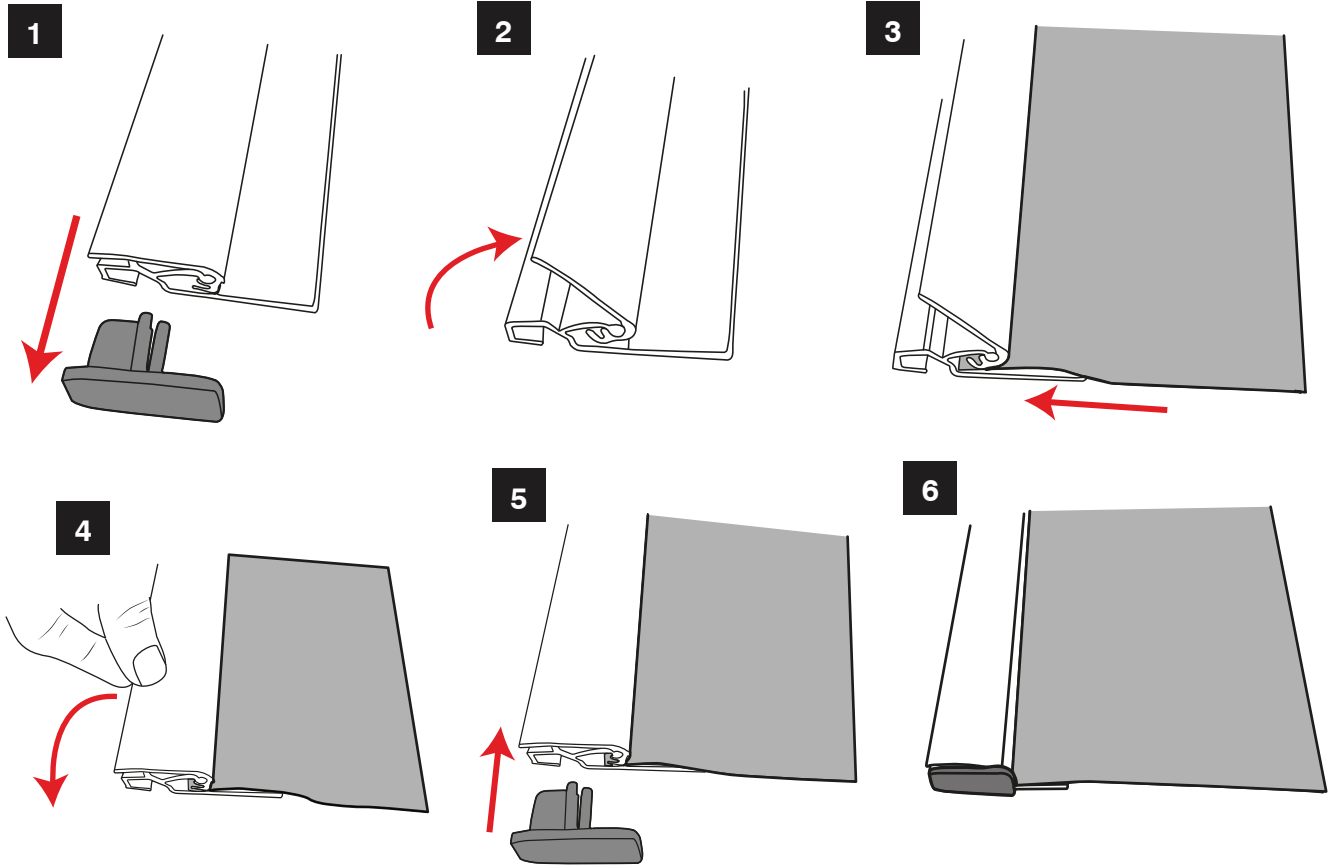


The parts list diagram shows three items: a banner tube with feet, a long pole, and a shorter pole.

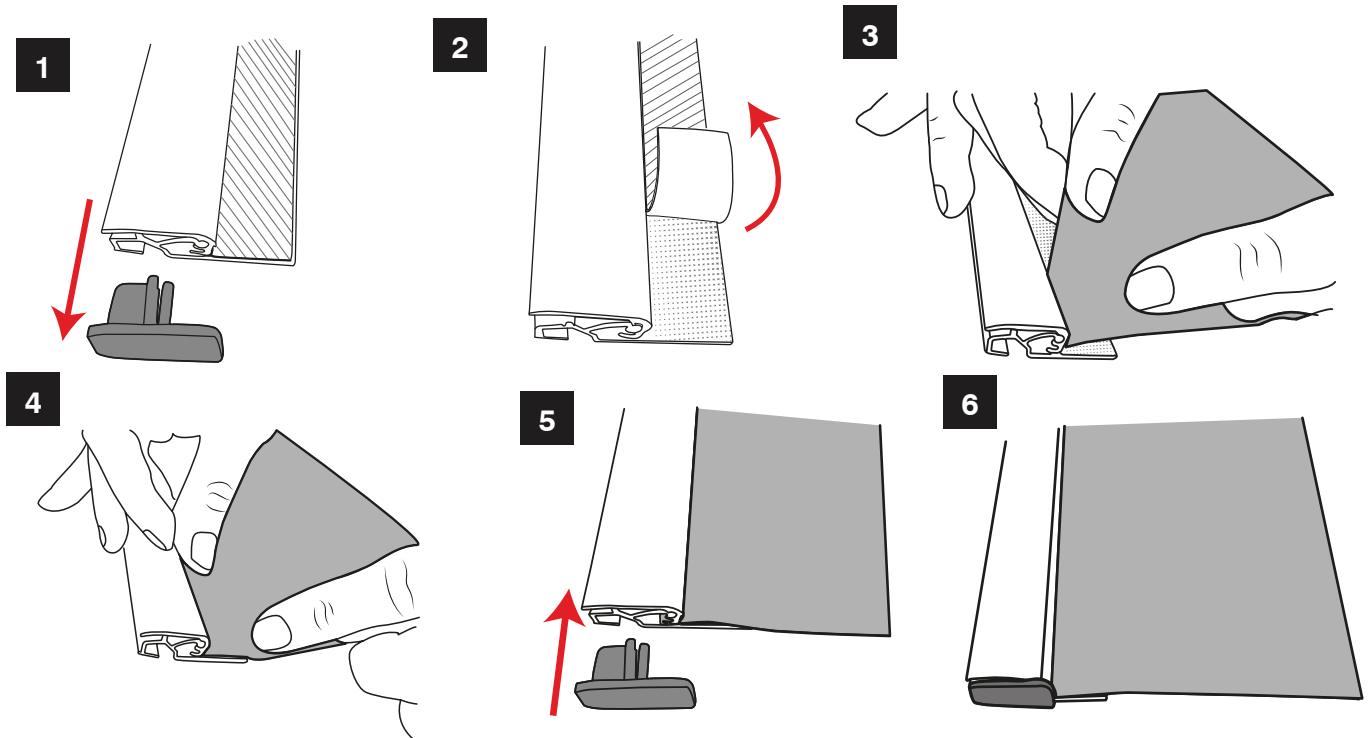




## Snap Rail

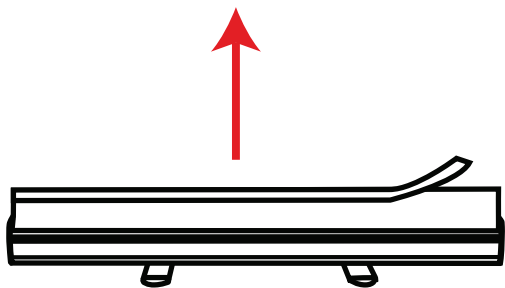


## Self Adhesive Rail

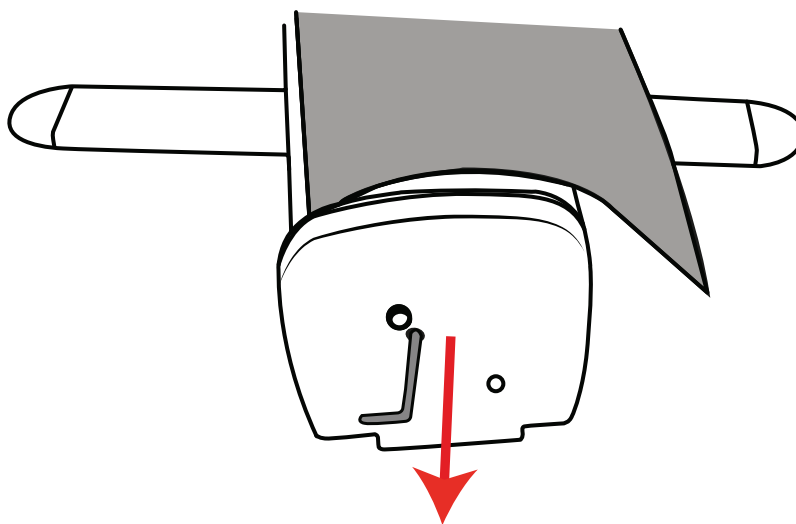




1



2



3

