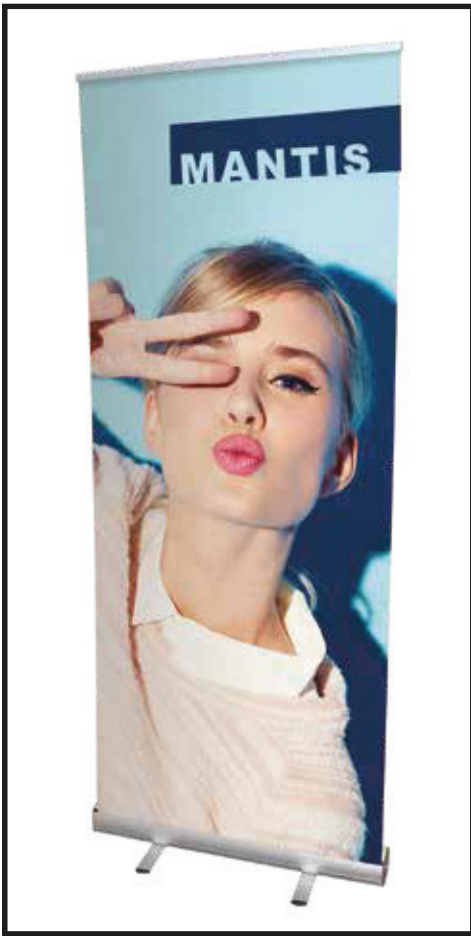
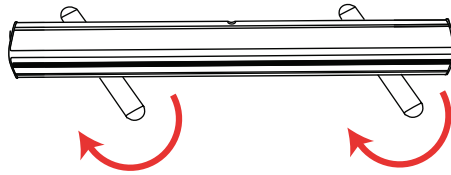


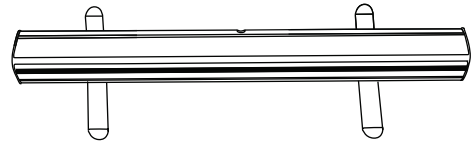
Mantis (600mm Wide Banner)



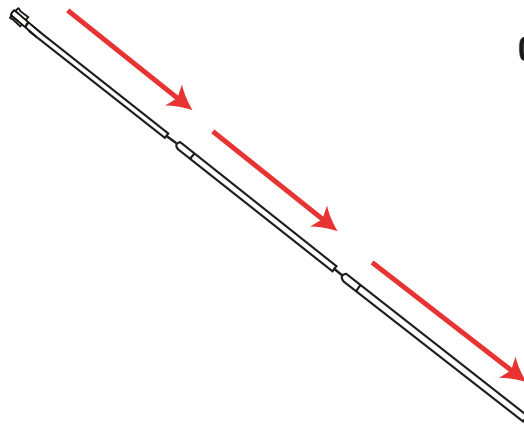
1



2

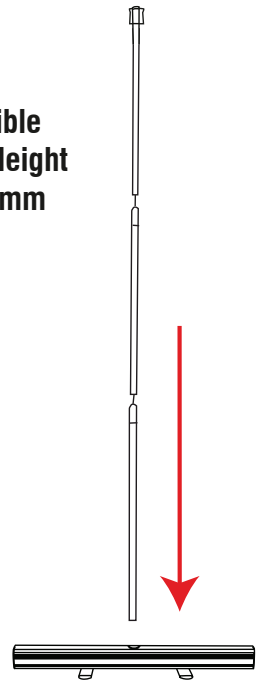


3



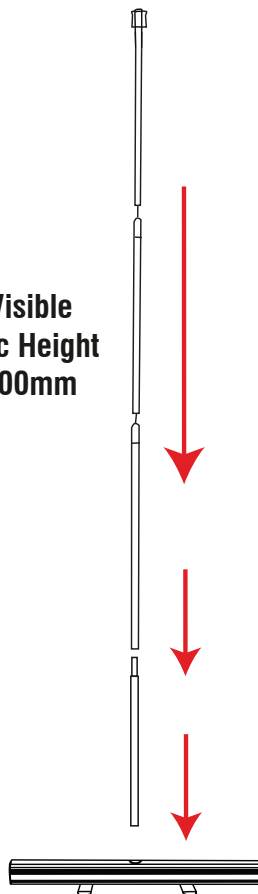
4a

For Visible Graphic Height of 1600mm

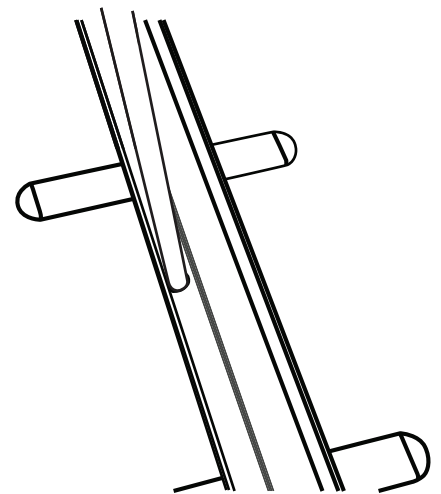



4b

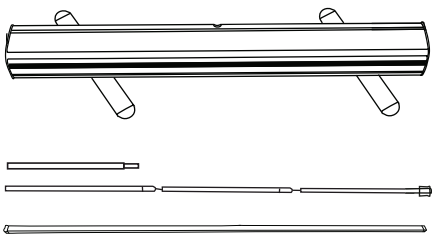
For Visible Graphic Height of 2000mm

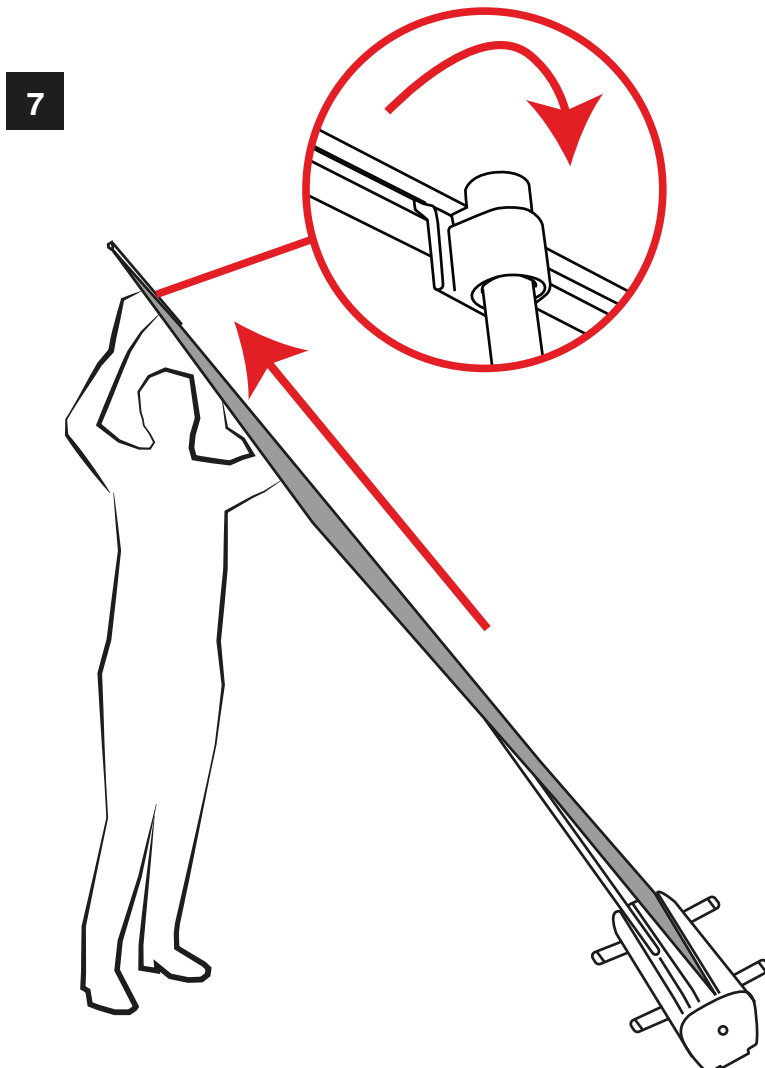
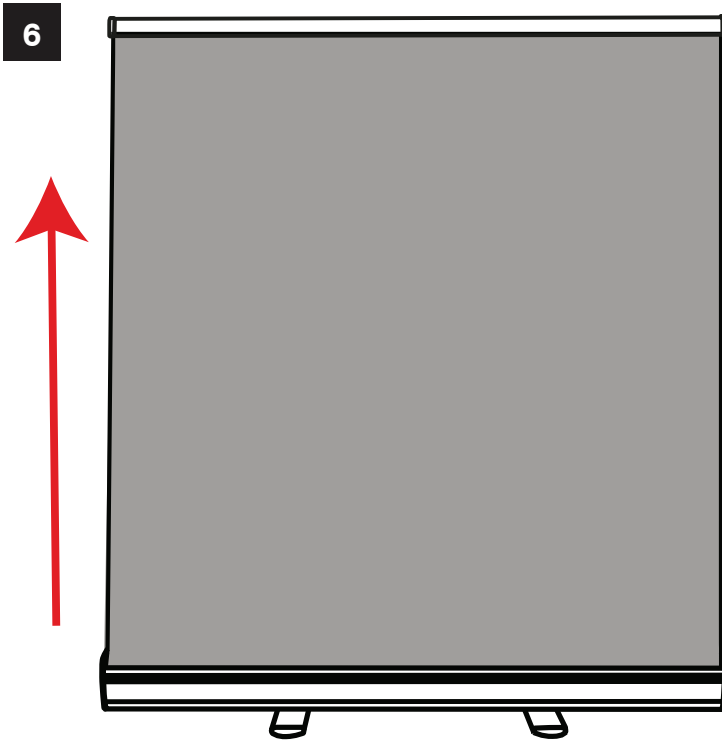


5



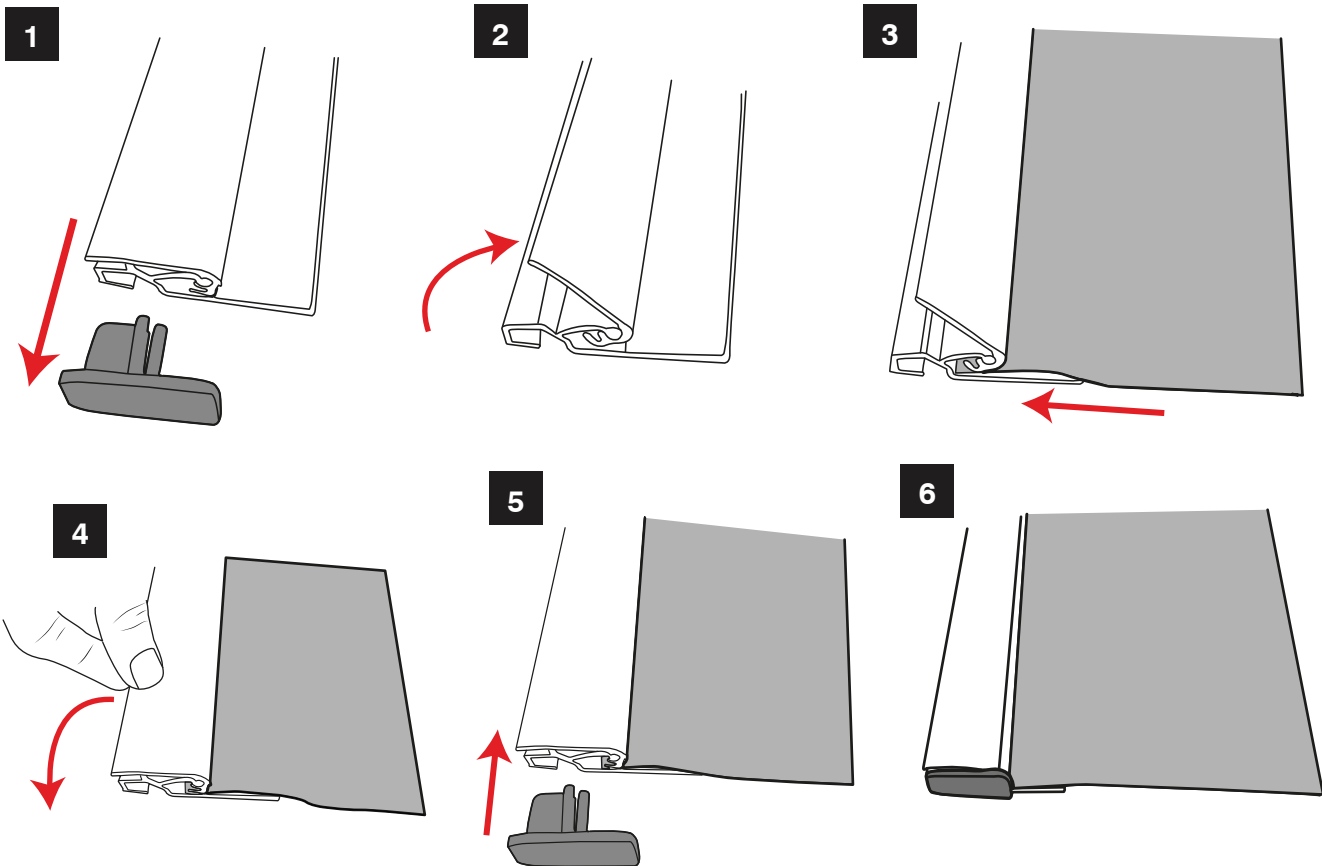
 **PARTS (NOT TO SCALE)**



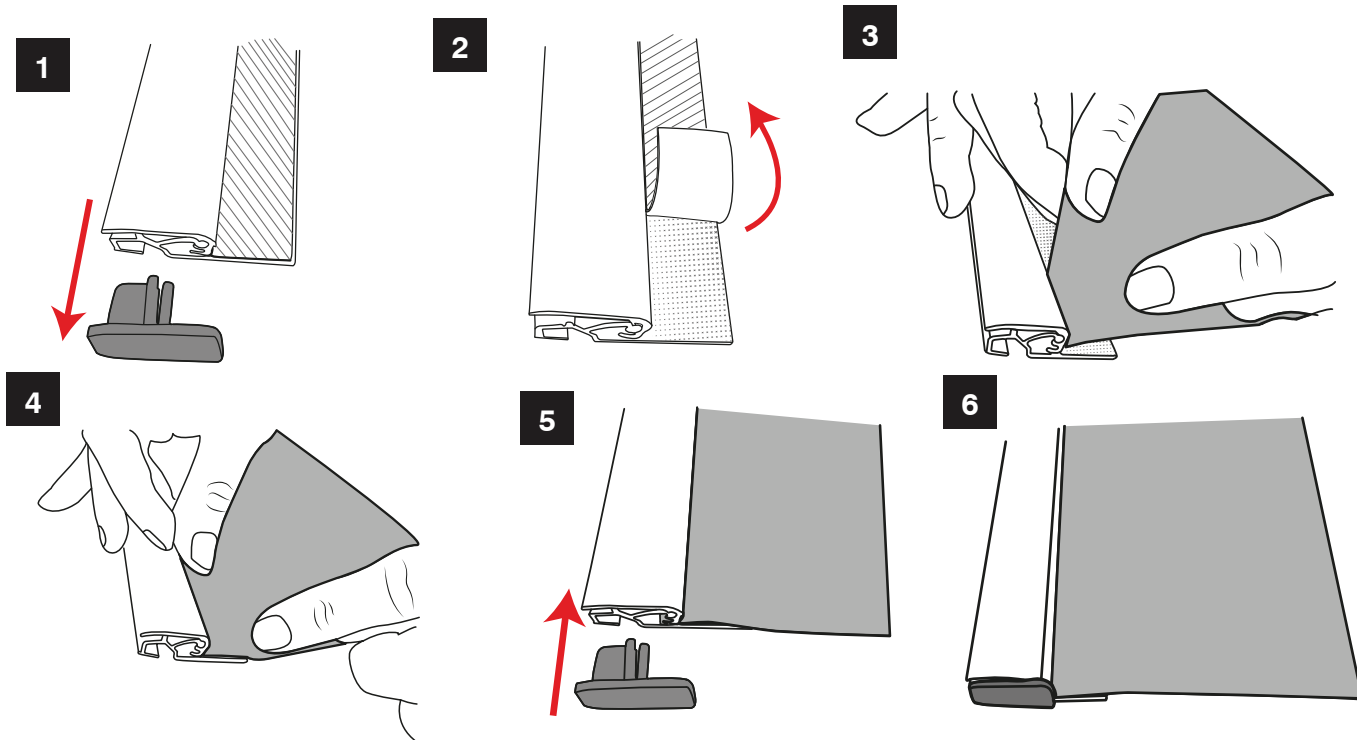




Snap Rail



Self Adhesive Rail

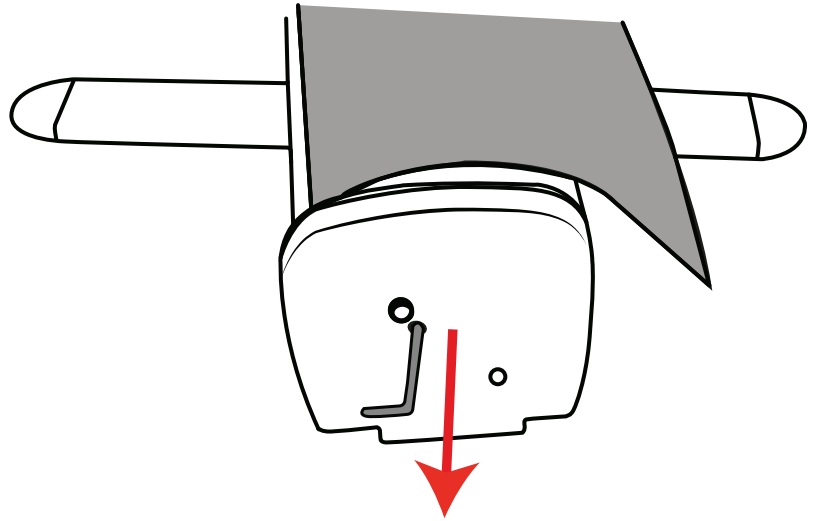




1



2



3

